

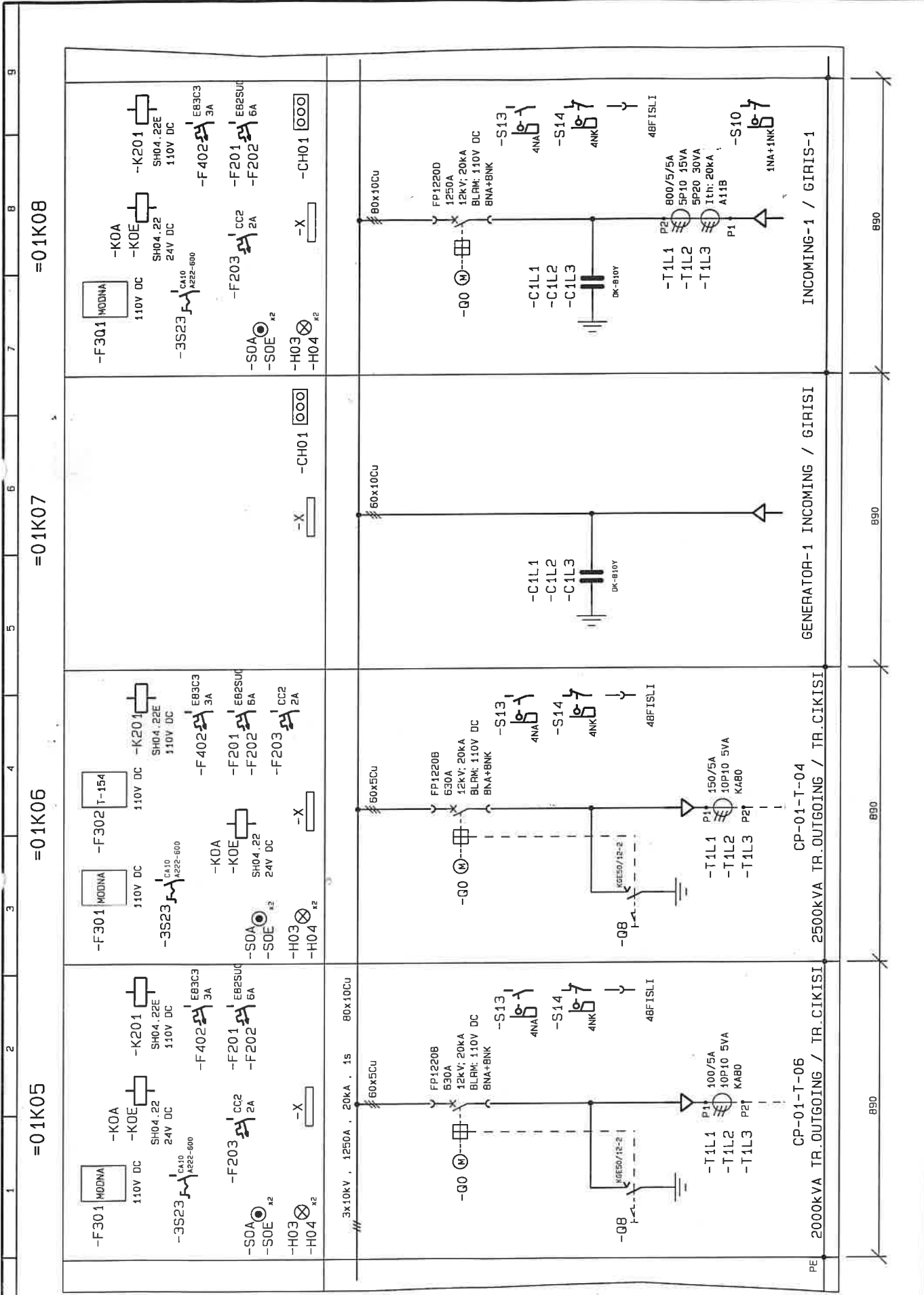
=01K01

=01K02

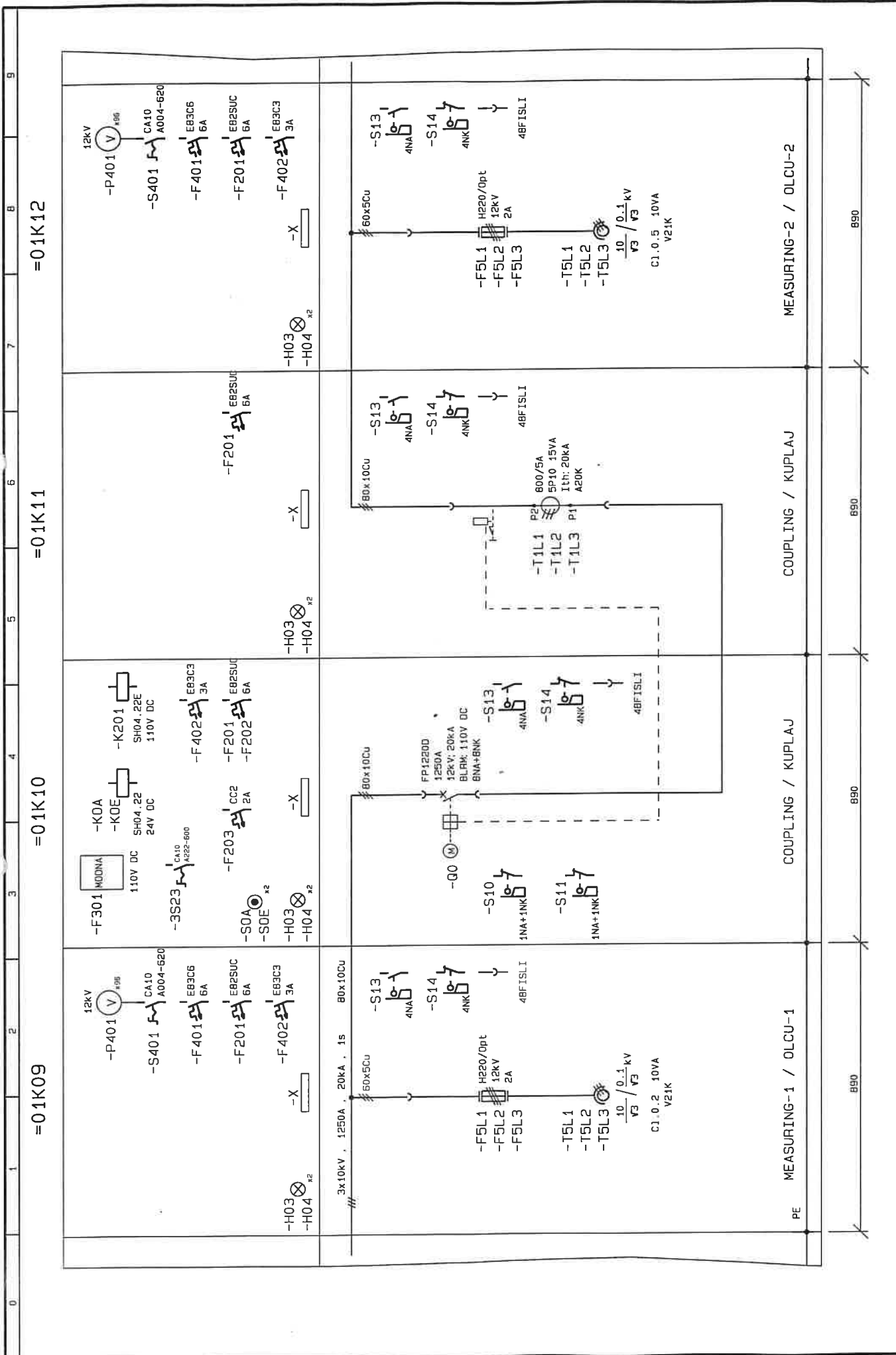
=01K03

=01K04

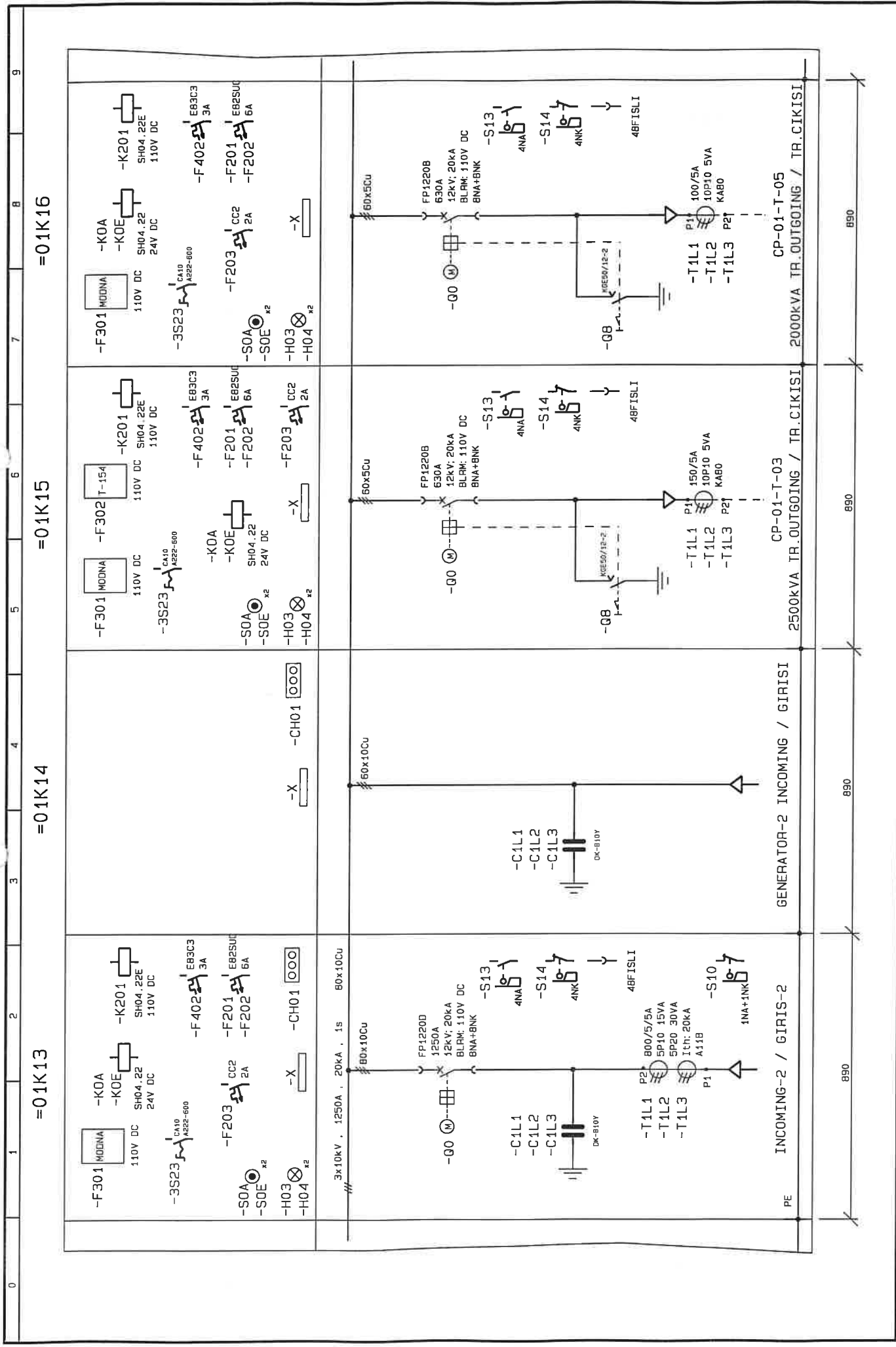
0	1	2	3	4	5	6	7	8	9	
=01K04										
=01K03										
=01K02										
=01K01										
3x10kV . 1250A . 20KA . 1S 80x10CU										
60x5CU										
FP1220B 630A 12KV; 20KA BLRM; 110V DC 8NA+8NK										
-S13 4NA										
-S14 4NK										
48FISLI										
-T1L1 P1 100/5A 10P10 5VA K80										
-T1L2 P2										
-T1L3 P2										
SPARE / YEDEK										
PE										
RING-1A 890										
RING-2A 890										
RING-3A 890										
=001 +										
M 650 253 -10 (3)										
SINGLE LINE DIAGRAM / TEKHAH SEMASI										
ALSTOM										
SABANCI UNIVERSITESI										
10KV SWITCHGEAR										
40KV SALT TESTISI										
Date	22.02.1999	Drawn	C. CALISKAN	Checked	O. YAVAS	Name	M. YENTUR	Or-sign	Rep1.	
St. / Revision	01	Date	19.04	SS/OY	Checked	O. YAVAS	Name	M. YENTUR	Or-sign	
Sheet	1								of	5



0	1	2	3	4	5	6	7	8	9
=01K05		=01K06		=01K07		=01K08			
SINGLE LINE DIAGRAM /									
TEKHAT SEMASI									
ALSTOM									
SABANGCI UNIVERSITESTI									
10kV SWITCHGEAR									
10kV SALT TESTISI									
Date	22.02.1999	Drawn	C. CALISKAN	Checked	O. YAVAS	Subst.:			
St. Revision	01	Date	19.04.2001	Name	SS/OY	Rep.:			
			Name	M. VENTUR					
			M 650 253 -10 (3)			=001			
			Sheet 2			Of 5			



0	1	2	3	4	5	6	7	8	9
=01K09			=01K10			=01K11			=01K12
SINGLE LINE DIAGRAM / TEKHAT SEMASI									
ALSTOM									
SABANGCI UNIVERSITESTI									
Date	22.02.1999	Drawn	C. CALISKAN	10kV SWITCHGEAR					
01	FINAL/2001	19.04	SS/DY	Checked	O. YAVAS	10kV SALT TESTIST			
St. Revision	Date	Name	Norm	Drawn	M. VENTUR	Subst.:			
M 650 253 -10 (3)									
Sheet 3 of 5									



0	1	2	3	4	5	6	7	8	9	
=01K13		=01K14		=01K15		=01K16				
St. Revision	Date	Name	Norm	M. YENTUR	SINGLE LINE DIAGRAM / TEKHAH SEMASI					Sheet of
01	FINAL/2001	19.04	SS/OY	Checked	M 650 253 -10 (3)					4
				Drawn	-001					5
				Date	22.02.1999					
					SABANCI UNIVERSITESI					
					10KV SWITCHGEAR					
					10KV SALT TESISI					
					01. YAVAS					
					01. YAVAS					
					01. YAVAS					

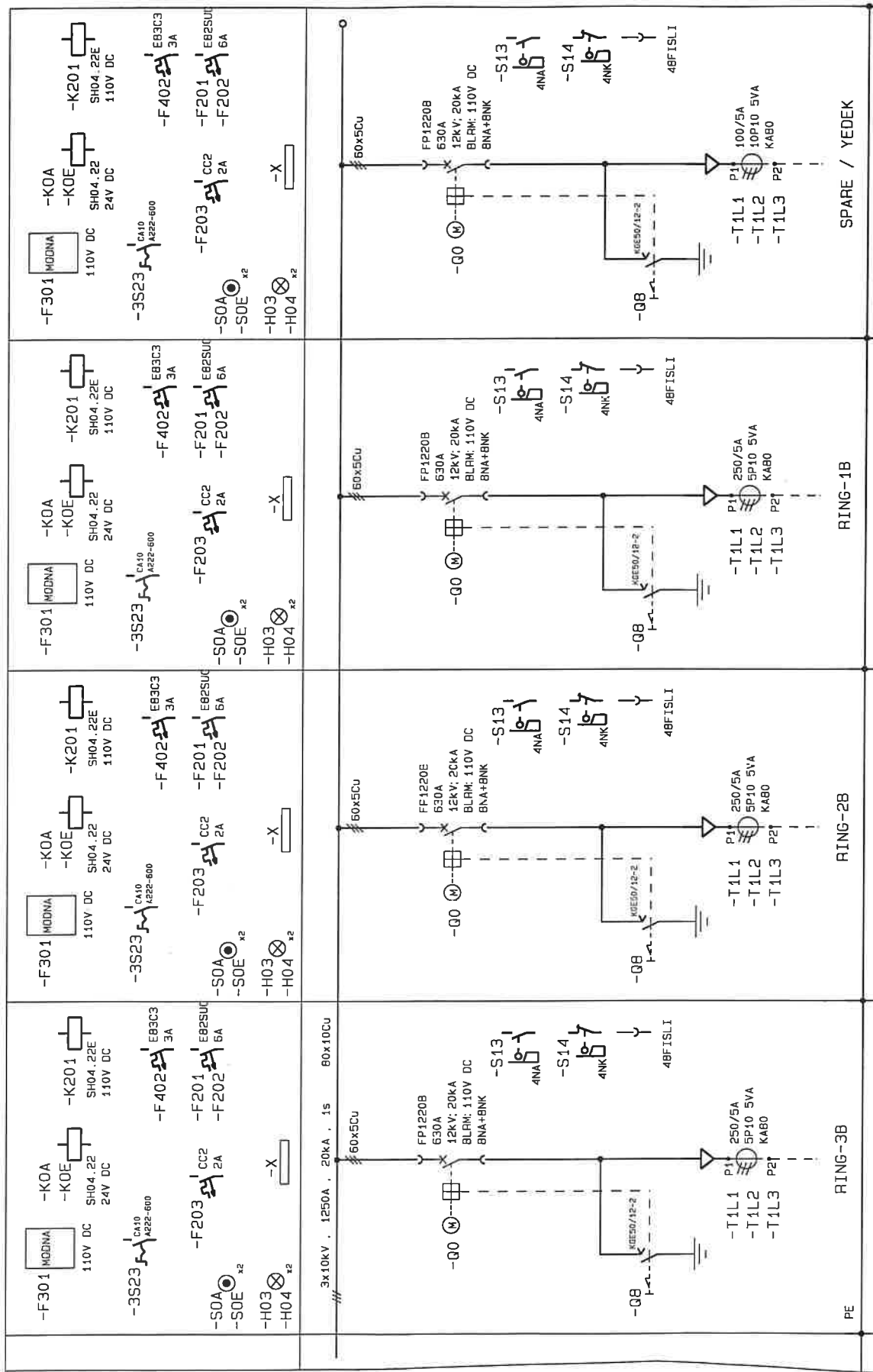


=01K17

=01K18

=01K19

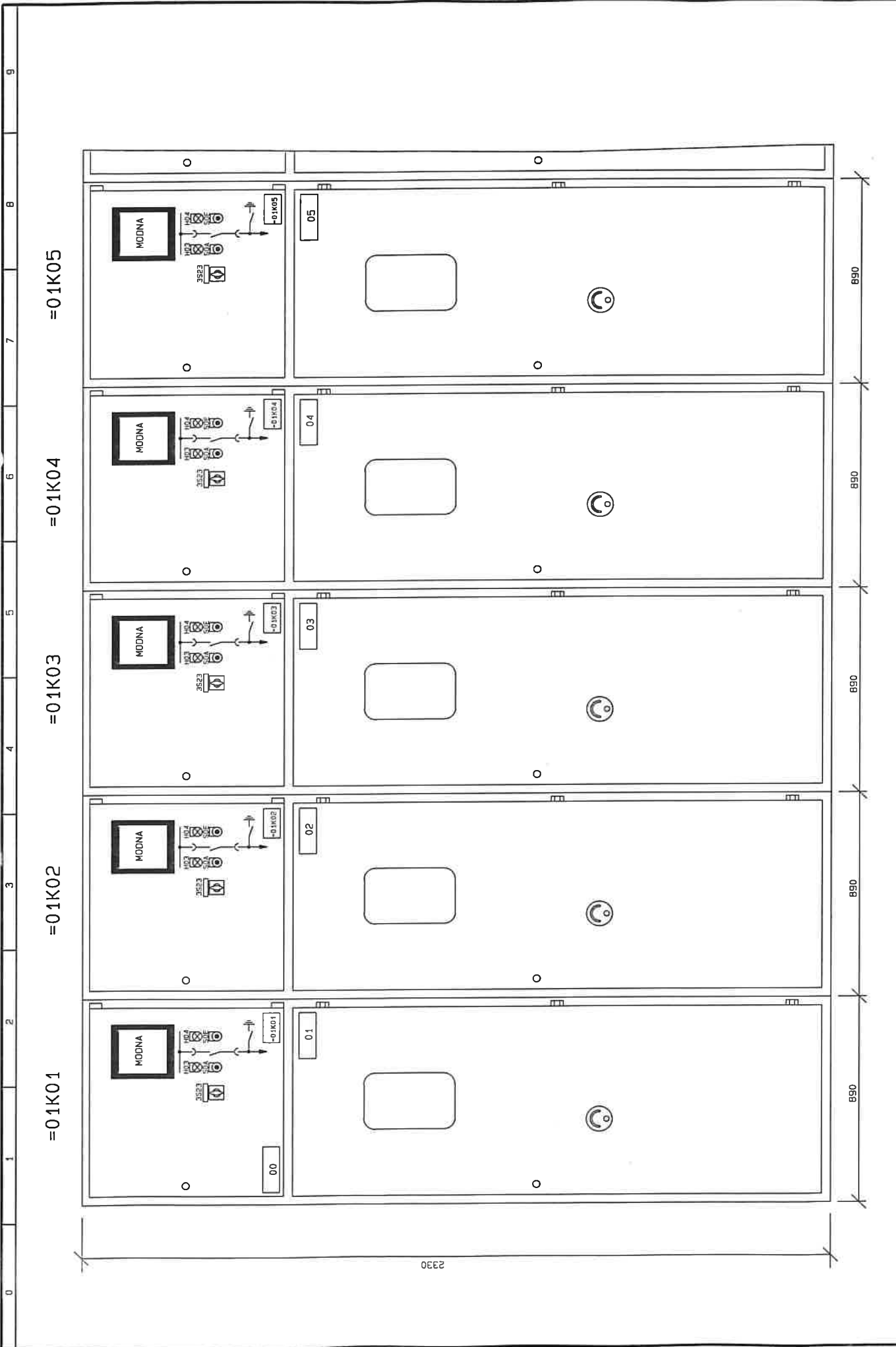
=01K20



St. Revision	Date	Name	Norm	M. VENTUR	Dr. 10111
01	F.INAL/2001 19.04	SS/DY	Checked	O. YAVAS	10kV SALT TESISI
		Drawn		C. CALISKAN	10kV SWITCHGEAR
		Date		22.02.1999	SABANCI UNIVERSITESI

SINGLE LINE DIAGRAM /		-001
TEKHAT SEMASI		
M 650 253	-10 (3)	Sheet 5 of 5

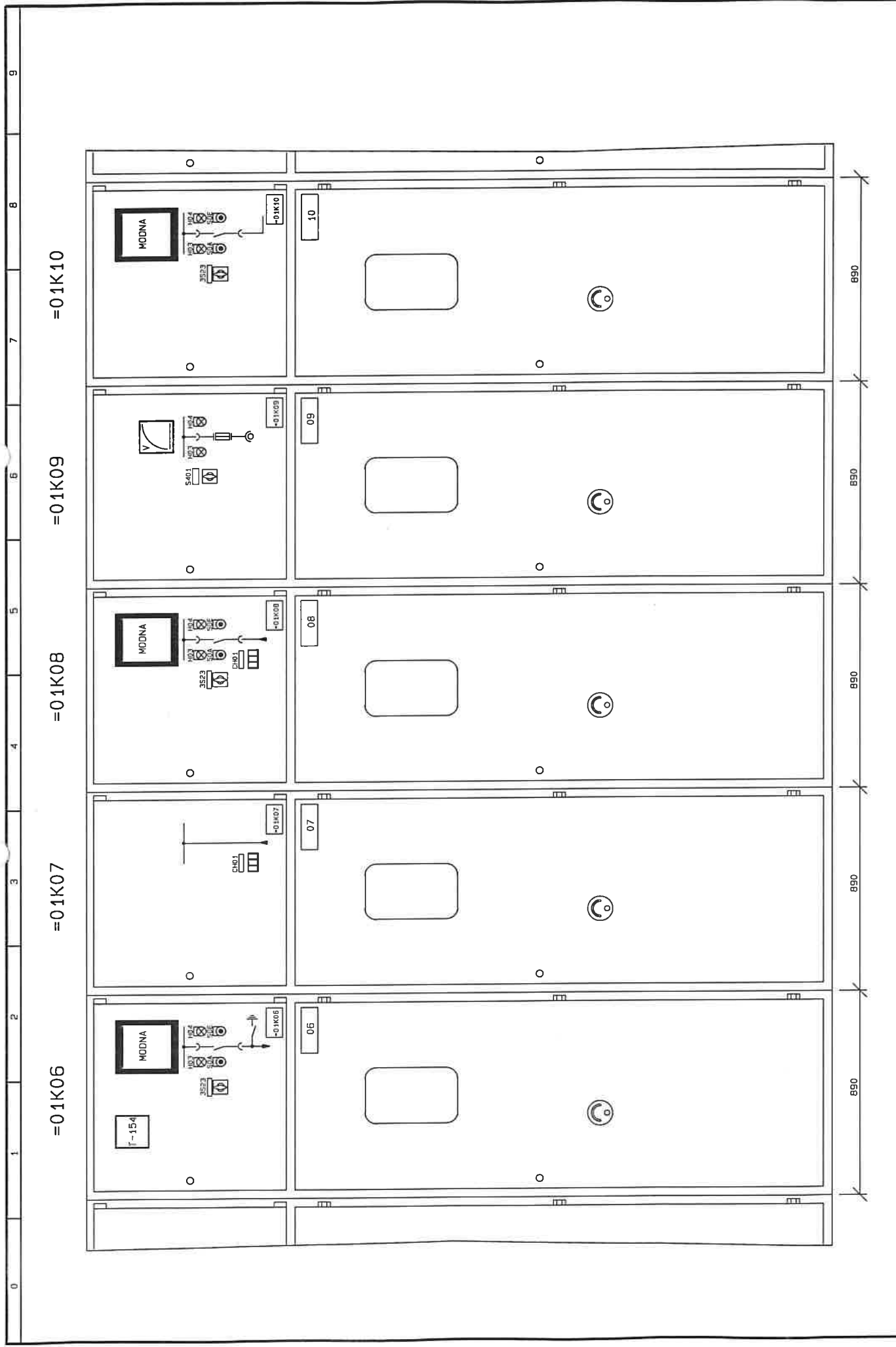




Date		22.02.1999		SABANCI UNIVERSITESI		=002	
Drawn		C. CALISKAN		10kV SWITCHGEAR		+	
Checked		D. YAVAS		10kV SALT TESISI		M 650 253 -11 (3)	
Name		M. YENTUR		Subst.:		Sheet 1 of 5	
Revision		Date		Repl.:			

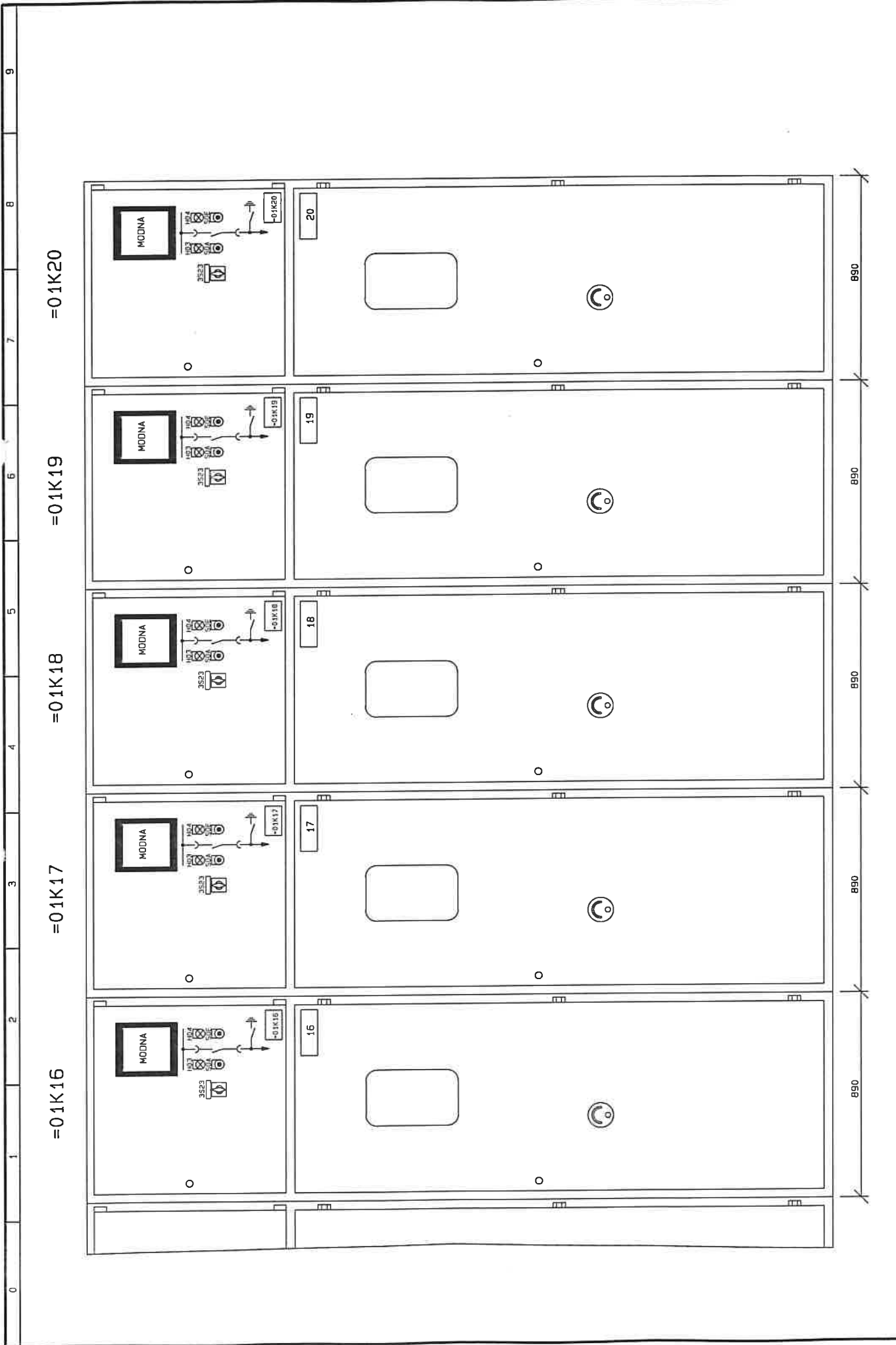
ALSTOM

FRONT VIEW /
ON GORUNUS



=01K06 =01K07 =01K08 =01K09 =01K10

Date		22.02.1999	SABANCI UNIVERSITESI		FRONT VIEW /		=002	
Drawn		C. CALISKAN	10kV SWITCHGEAR		ON GORUNUS		+	
Checked		D. YAVAS	10kV SALT TESTISI		M 650 253 -11 (3)		Sheet 2	
Date		19.04.01	SS/OY		Subst.:		of 5	
Name		M. YENTUR	Origin:					



0	1	2	3	4	5	6	7	8	9
=01K16 =01K17 =01K18 =01K19 =01K20									
890 890 890 890 890									
FRONT VIEW / ON GORUNUS									
ALSTOM									
SABANGI UNIVERSITESTI 10KV SWITCHGEAR 10KV SALT TESI									
Date	22.02.1999	Drawn	C. CALISKAN	Checked	O. YAVAS	Design	M. YENTUR		
St. Revision	01	Date	19.04.2001	SS/DY	Checked	Norm			
M 650 253 - 11 (3)									
=002 + Sheet 4 of 5									

0	1	2	3	4	5	6	7	8	9
---	---	---	---	---	---	---	---	---	---

LABEL LIST / ETIKET LISTESI

- 00 - 10KV SWITCHGEAR / 10KV SALT TESISI
- 01 - SPARE / YEDEK
- 02 - RING-1A
- 03 - RING-2A
- 04 - RING-3A
- 05 - CP-01-T-06 2000KVA TR.OUTGOING / TR. CIKISI
- 06 - CP-01-T-04 2500KVA TR.OUTGOING / TR. CIKISI
- 07 - GENERATOR-1 INCOMING / GIRISI
- 08 - INCOMING-1 / GIRIS-1
- 09 - MEASURING-1 / OLCU-1
- 10 - COUPLING / KUPLAJ
- 11 - COUPLING / KUPLAJ
- 12 - MEASURING-2 / OLCU-2
- 13 - INCOMING-2 / GIRIS-2
- 14 - GENERATOR-2 INCOMING / GIRISI
- 15 - CP-01-T-03 2500KVA TR.OUTGOING / TR. CIKISI
- 16 - CP-01-T-05 2000KVA TR.OUTGOING / TR. CIKISI
- 17 - RING-3B
- 18 - RING-2B
- 19 - RING-1B
- 20 - SPARE / YEDEK

- SOA - C.B. TRIP / KESICI ACMA
- SOE - C.B. CLOSE / KESICI KAPAMA
- HOA - C.B. ON / KESICI ACIK
- HOE - C.B. OFF / KESICI KAPALI
- 3S23- LOCAL-REMOTE CONT. / YAKIN-UZAK KONT.
- S401- SELECTOR SWITCH / SECICI SALTER
- CH01- L1-L2-L3

FRONT VIEW / ON GORUNUS		= 002 +		M 650 253 -11 (3)		Sheet of
ALSTOM		SABANCI UNIVERSITESI		10KV SWITCHGEAR		5
19.04		22.02.1999		C.CALISKAN		5
19.04		22.02.1999		O.YAVAS		5
19.04		22.02.1999		M.YENTUR		5
19.04		22.02.1999		M.YENTUR		5